



AccuFlex Single Dose Automation

Flexible Patient-Specific and Prepack Automation for the LTC Pharmacy

The Omnicell AccuFlex® accurately fills and labels single-dose packaging based on incoming prescriptions or prepack orders, improving operational efficiency and reducing inventory and labor costs. This automation fills many types of reclaimable and non-reclaimable single-dose medication packaging of any quantity, including calendar filling to match the card numbering to the day of the month, or on-demand cycle filling.

Solution Benefits

- Fills and labels any quantity based on calendar, cycle, or prepack
- Throughput of 3.5 filled, sealed, and labeled cards per minute
- High level of accuracy increases pharmacy productivity and reduces rework
- Can enable PV2 exemption to maximize workflow and labor efficiency
- Patient-specific blister card filling and labeling

The Omnicell AccuFlex high-speed packaging technology comes with software, reports, formulary management, inventory management, custom labeling and foil formatting, installation, and training.

Features

- Faced with your Pharmacy Information System
- Automated barcode verification and tracking
- Cassette inventory tracking
- Detailed and custom reports
- Multiple workstation capability removes bottlenecks when queuing jobs and managing cassettes



AccuFlex

Site Requirements

Dimensions:

- 8' x 11.8' x 12'
- Packager clearance space for service: 15' x 15'

Network Connection Requirements:

- 1 between machine and facility
- 1 for workstation
- 1 for server
- 1 for network printer (optional)

Air Requirements:

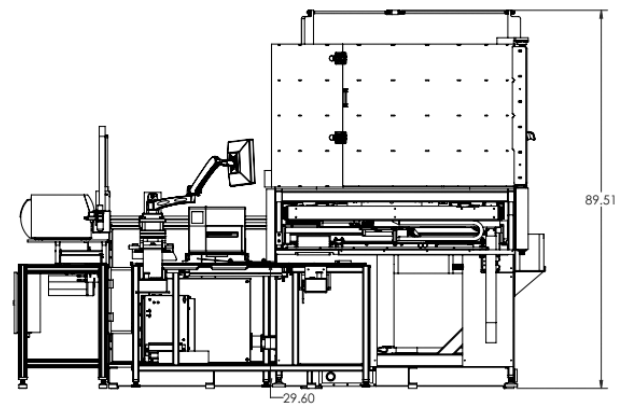
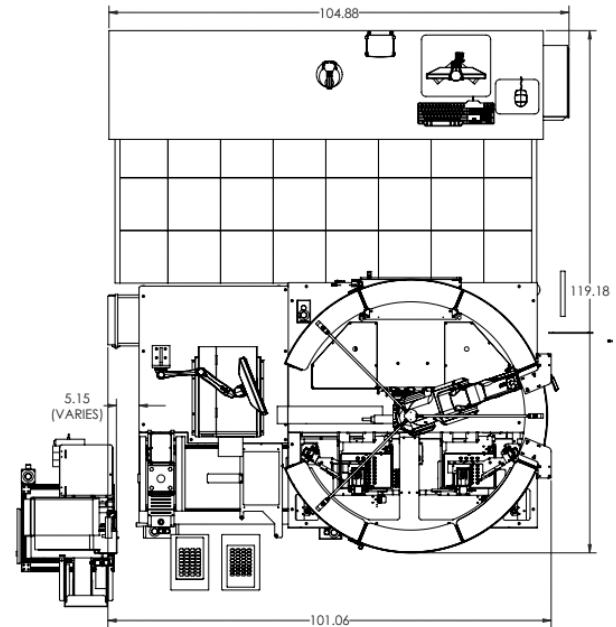
15 CFM at 100 PSI. Minimum supply of 60 gallons and an air dryer

Electrical Requirements:

Packager: 220/240 VAC @ 60-amp, single-phase power with disconnect box

Ingress Requirements:

Once unloaded, the AF3 and components will require a pathway of 96"h x 64"w to move the system to its location



Visit [Omnicell.com/Medication-Adherence](https://www.omnicell.com/Medication-Adherence) to learn more today.

For Your Pharmacy. For Your Patients.

Your partner for optimized outcomes.

Through industry-leading medication packaging and automation solutions, Omnicell empowers pharmacies to work more efficiently, to improve medication safety and satisfaction for their employees, customers and patients.

